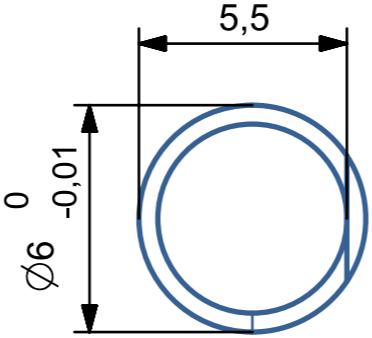
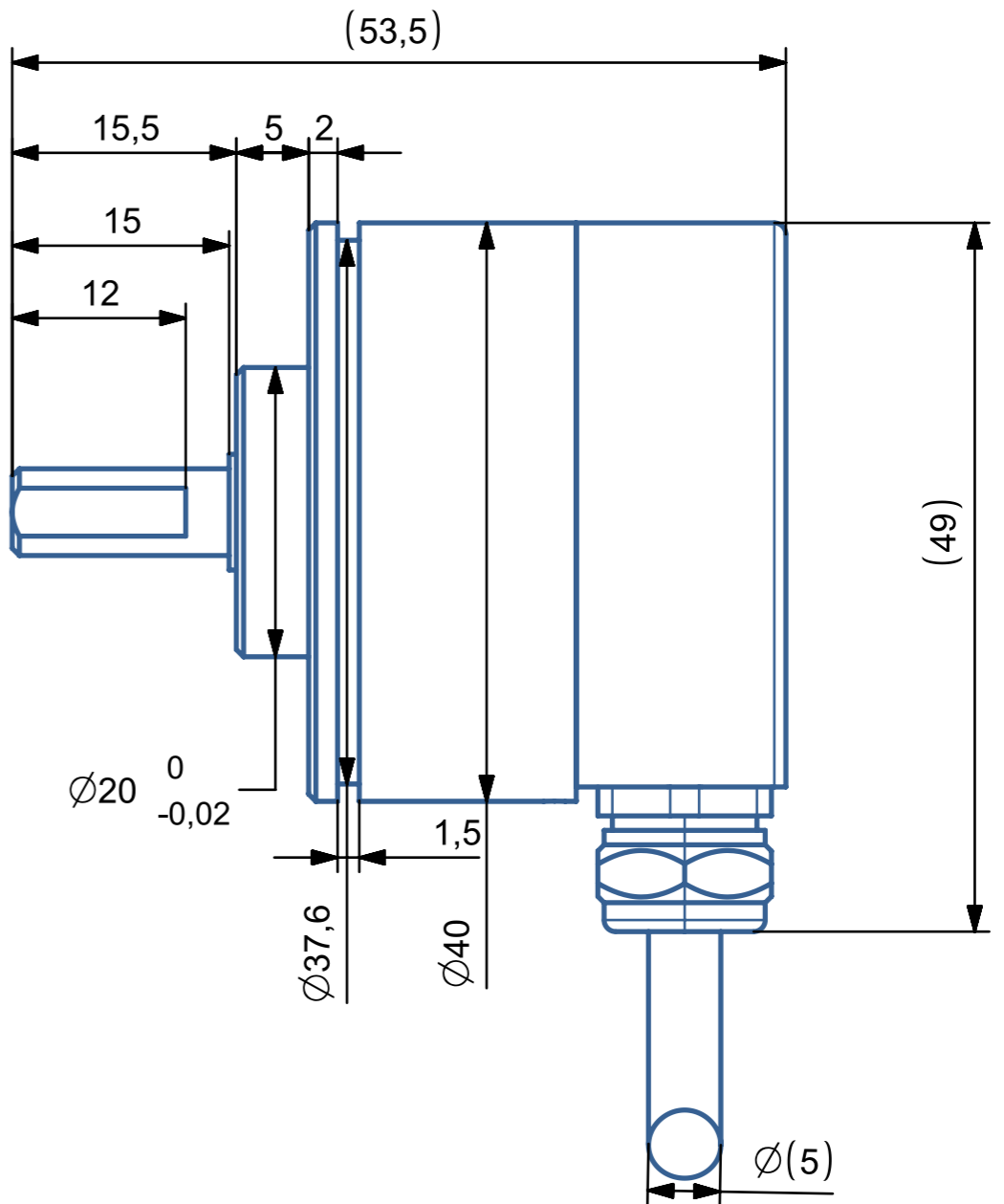


Ø30

3xM3  
6mm deep



D-type shaft dimensions  
Scale 5:1



THIS DRAWING HAS BEEN PRODUCED USING AN EXAMPLE  
TEMPLATE PROVIDED BY SIEMENS PLM SOFTWARE

FIRST ISSUED	
DRAWN BY	
CHECKED BY	
APPROVED BY	

TITLE		SHEET REV	
IP68- BRT38- 6mm shaft Briterencoder		A	
SIZE	DRG NO.		
A3			
SCALE 1:1		SHEET 1 OF 1	

ALL DIMENSIONS IN MM

